



heat exchanger
mastery



OPEN COOLING TANK

TECHNICAL SPECIFICATIONS

MANUFACTURE:

- Inner tank and outer casing made of AISI 304 stainless steel.
- Total primary surface Trapcold (registered trademark) evaporator with maximum yield.
- Very thick insulation by means of non-polluting polyurethane foam.
- Inner trap for emptying.
- DN50 threaded outlet connector with plug.
- Millimeter stainless steel dip-stick for the measurement of milk-level.

COOLING SYSTEM:

- Non-icing cooling even with low filling level.
- Direct expansion.
- R404A refrigerating fluid for all models.
- Stainless steel cover.
- The models of this range are compact and allow a space-saving installation.

ELECTRIC SYSTEM:

- Computerised FIPO 0 milk-controller system for the management of all the operations:
 - milk temperature check
 - digital temperature display
 - stirring program.
- Electrical feeding cables with standardised plug (male).
- 230V 50HZ single-phase feeding.

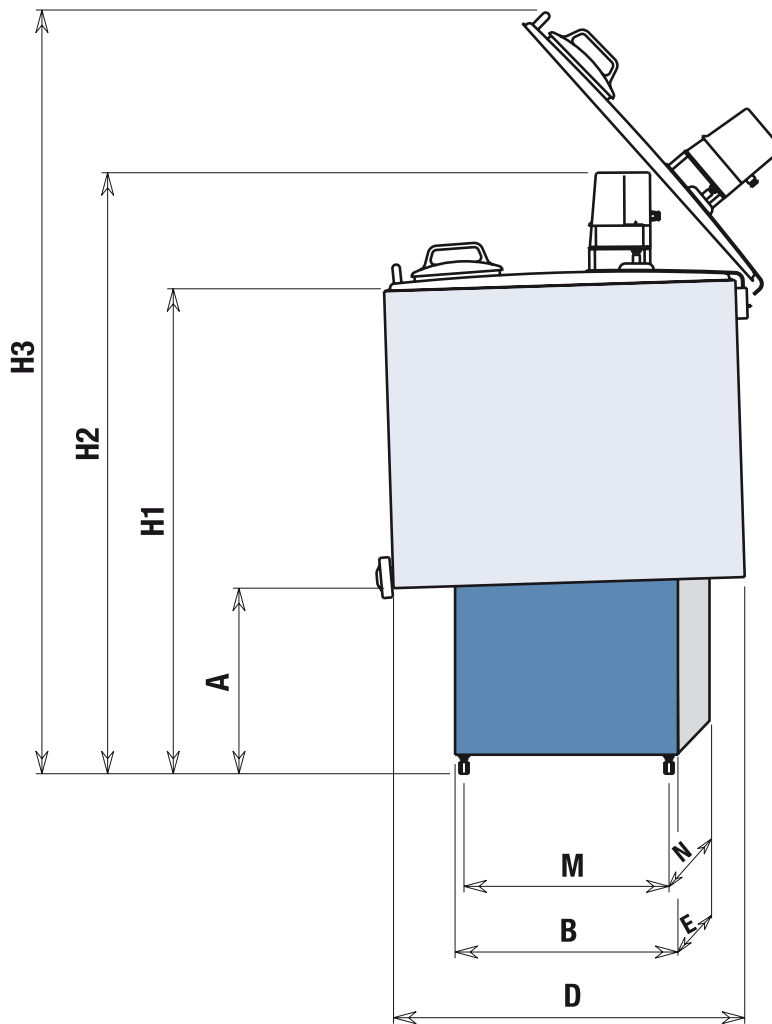
BY REQUEST:

- Butterfly valve.
- Stainless steel elbow.



FRIGOMILK G1

state of the art milk-cooling



CAPACITY	MILKINGS	VOLUME (litres)		DIMENSIONS				ADJUSTABLE FEET POSITIONING M x N (mm)	CONDENSING UNIT			WEIGHT (kg)
		Max	Nominal	D (mm)	H1 (mm)	H2 (mm)	H3 (mm)		A (mm)	BxE (mm)	Compr. HP	
100	2M	105	100	580	885	1110	1500	332X344	315	370X380	0,33	53
200	4M	212	200	750	1030	1180	1800	437X457	390	480x500	0,33	72
	2M										0,5	75
300	4M	312	300	923	1120	1410	2000	558X556	405	600x600	0,5	102
	2M										1	113

CAPACITY
 2 MILKINGS
 4 MILKINGS
 SINGLE-PHASE 1.230

How to order a G1 Frigomilk with abbreviations.

Example: 200 4M M

capacity
 milkings
 single-phase

FRIGOMILK G1



FIC s.p.a.
Via Trivulzia, 54
23020 Mese (SO) Italia



Uff. Commerciale Sales Office
Tel. +39 0343 43103 Fax +39 0343 41339
Stab. Amm. Factory - Head Office
Tel. +39 0343 41051 Fax +39 0343 41304
fic@fic.com www.fic.com